

Bipv products Rwanda



UL1973 / UL9540A / FCC
UN38.3 / IEC62619 / CE
CEI 0-21 / VDE2510-50
UK

[VIEW MORE](#)





Bipv products Rwanda



A critical review on building integrated photovoltaic products and

BIPV products for roofs, façades and skylights have been highlighted in this paper. The properties of BIPV products include solar cell efficiency, open circuit voltage, short circuit current, maximum power and fill factor.

Building integrated photovoltaics in practical use: The 5GSOLAR ...

6 · Building-integrated photovoltaics (BIPV) is developing rapidly as more private homes, office buildings, production facilities, and even storage structures are designed with energy neutrality in mind. Achieving sustainability in electric energy has become a crucial objective, especially considering that around 40% of energy consumption in the



Recent advancement in BIPV product technologies: A review

BIPV products for rooftops, façades and windows have been highlighted in this paper. The properties of BIPV products incorporate solar PV efficiency, V_{oc} , I_{sc} , P_{max} and ...

BIPV Suppliers (Building Integrated Photovoltaics)

Leveraging Targray's global sourcing, distribution



and supply chain capacities, our BIPV suppliers and procurement specialists create value for EPCs, contractors, installers and solar project developers in countries around the world. To learn more about our BIPV technology solutions, contact a member of our solar team.



FLEXIBLE SETTING OF MULTIPLE WORKING MODES



BIPV Suppliers (Building Integrated Photovoltaics)

Leveraging Targray's global sourcing, distribution and supply chain capacities, our BIPV suppliers and procurement specialists create value for EPCs, contractors, installers and solar project developers in countries around the ...

BIPV GLOBAL , The International Network of Photovoltaic ...

WHAT IS BIPV? THE CONCEPT. THE SOLAR PHOTOVOLTAIC ENERGY INTEGRATED TO THE ARCHITECTURE or BUILDING INTEGRATED PHOTOVOLTAICS -BIPV- are photovoltaic materials used to replace conventional building materials, in parts such as the roof, skylights, facades, curtain walls, windows, carports, and floors. They are the first building materials that



Building integrated photovoltaics in practical use: The 5GSOLAR ...

6 · Building-integrated photovoltaics (BIPV) is developing rapidly as more private homes, office buildings, production facilities, and even storage structures are designed with energy ...



BIPV GLOBAL , The International Network of ...

WHAT IS BIPV? THE CONCEPT. THE SOLAR PHOTOVOLTAIC ENERGY INTEGRATED TO THE ARCHITECTURE or BUILDING INTEGRATED PHOTOVOLTAICS -BIPV- are photovoltaic materials used to replace ...

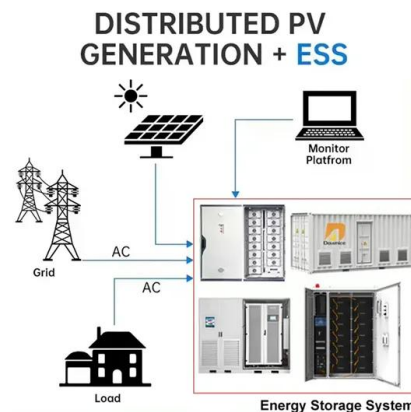


Top BIPV Suppliers in Rwanda

What is a Building Integrated Photovoltaic or a BIPV? Building Integrated Photovoltaics serves more than one purpose. BIPVs produce electricity by the piezoelectric effect and serve as protection for any structure. BIPVs are installed to provide shed, block sunlight, and give a modern look to any building, all this while producing electricity from sunlight. Where is a BIPV ...

A critical review on building integrated photovoltaic products and

BIPV products for roofs, façades and skylights have been highlighted in this paper. The properties of BIPV products include solar cell efficiency, open circuit voltage, short ...



Building-Integrated Photovoltaic (BIPV) products and systems: A ...

This paper reviews the main energy-related features of building-integrated photovoltaic (BIPV) modules and systems, to serve as a reference for researchers, architects, BIPV manufacturers, and BIPV designers.



Rwanda Building Integrated Photovoltaics (BIPV) Glass Market ...

Rwanda Building Integrated Photovoltaics (BIPV) Glass Market is expected to grow during 2023-2029 Rwanda Building Integrated Photovoltaics (BIPV) Glass Market (2024-2030) , Share, ...



Rwanda Building Integrated Photovoltaics (BIPV) Glass Market ...

Rwanda Building Integrated Photovoltaics (BIPV) Glass Market is expected to grow during 2023-2029 Rwanda Building Integrated Photovoltaics (BIPV) Glass Market (2024-2030) , Share, Size & Revenue, Growth, Companies, Segmentation, Value, Forecast, Trends, Competitive Landscape, Outlook, Industry, Analysis

Top BIPV Suppliers in Rwanda

What is a Building Integrated Photovoltaic or a BIPV? Building Integrated Photovoltaics serves more than one purpose. BIPVs produce electricity by the piezoelectric effect and serve as ...



Lithium Solar Generator: \$150



Top BIPV Distributors Suppliers in Rwanda

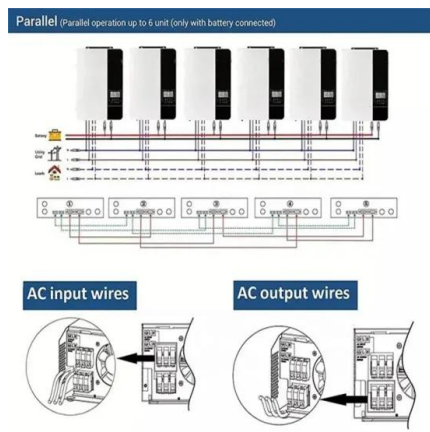
What is a Building Integrated Photovoltaic or a BIPV? Building Integrated Photovoltaics serves more than one purpose. BIPVs produce electricity by the piezoelectric effect and serve as protection for any structure. BIPVs are installed to provide shed, block sunlight, and give a modern look to any building, all this while



producing electricity from sunlight. Where is a BIPV ...

Building-Integrated Photovoltaic (BIPV) products and systems: A ...

This paper reviews the main energy-related features of building-integrated photovoltaic (BIPV) modules and systems, to serve as a reference for researchers, architects, ...



Recent advancement in BIPV product technologies: A review

BIPV products for rooftops, façades and windows have been highlighted in this paper. The properties of BIPV products incorporate solar PV efficiency, V_{oc} , I_{sc} , P_{max} and fill factor (FF). The life cycle sustainable assessment of BIPV module has been reviewed by examining energy payback time and GHG emission.

Top BIPV Distributors Suppliers in Rwanda

What is a Building Integrated Photovoltaic or a BIPV? Building Integrated Photovoltaics serves more than one purpose. BIPVs produce electricity by the piezoelectric effect and serve as ...



Contact Us

For catalog requests, pricing, or partnerships, please visit:
<https://www.fundacja64.pl>