

German solar container system transformation





Overview

Germany has reached a significant energy milestone with the commissioning of its two-millionth solar storage unit. This achievement was confirmed by the German Solar Industry Association (BSW-Solar), which also reported that around 600,000 new batteries were added during. Why are German businesses racing to adopt mobile solar container projects?

With industrial electricity prices hitting €0.28/kWh and rising – 45% above the EU average – these plug-and-play systems deliver immediate ROI while dodging grid dependency. Let's decode why this technology is reshaping. We make mobile solar containers easy to transport, install and use. Make the next step towards renewable energy with our Solarcontainer! The challenges of our time are more present than ever. That is why we have developed a mobile photovoltaic system with the aim of achieving maximum use of solar. Solarfold allows you to generate electricity where it's needed, and where it pays to do so. The innovative and mobile solar container contains 196 PV modules with a maximum nominal power rating of 130kWp, and can be extended with suitable energy storage systems. The lightweight. Would you like to generate clean electricity flexibly and efficiently and earn money at the same time?

With Solarfold, you produce energy where it is needed and where it pays off. The innovative and mobile solar container contains 200 photovoltaic modules with a maximum nominal output of 134 kWp. Fluence to supply 58 MWh battery for German solar . Fluence will team up with Statkraft for the sixth time by supplying the battery energy storage system (BESS) for Germany's biggest solar-plus-storage hybrid project, in Zerbst. Fluence - a JV formed by the AES Energy . The Hidden Costs of. Recently, Senta successfully shipped 2 sets of 20HQ100kW photovoltaic folding power generation containers. This shipment marks another important layout of Senta in the global new energy market, and also reflects our firm support for Germany's green energy transformation. Senta's collaboration with.



German solar container system transformation

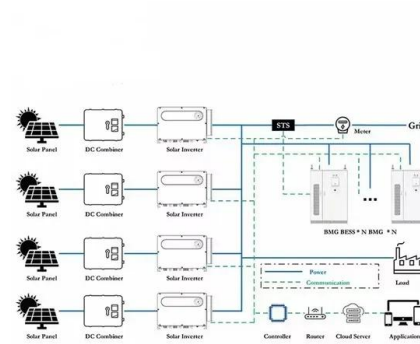


GERMAN CONTAINER FARMING MEETS SOLAR POWER A ...

Tram german households have 18 solar container Solar panels take the top spot at around 15 percent of households, a jump of 3 percentage points from the previous year, according to the report, which ...

Solarcontainer: The mobile solar system

We make mobile solar containers easy to transport, install and use. Make the next step towards renewable energy with our Solarcontainer! The challenges of our time are more present than ever.



Container Solar Panel , Huijue I& C Energy Storage Solutions

The answer's staring us in the face - literally. Container solar panels are turning steel boxes into sun-chasing power plants. In Germany's industrial heartland, they've already displaced 12% of diesel ...

Putting an energy system transformation into practice: The case of the

Low-carbon energy system transformations are usually seen from a technical perspective; the decisive societal dimensions of actors and

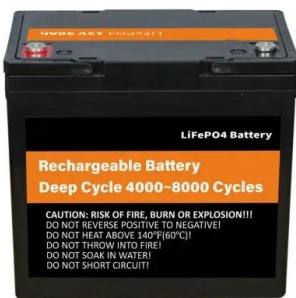


institutions are widely neglected. We contribute to ...



SolarContainer: A foldable mini power plant

It consists of a turnkey solar system, including an energy management system and a battery, all fitting inside a 20-foot container. When on site, a crew of 4 people ...



Cheaper, cleaner energy drives Germany's balcony-solar boom

The home-fitted renewable-energy sources are inexpensive and easy to install, and reduce electricity costs. Here's what can be learned from their surging popularity in Germany.



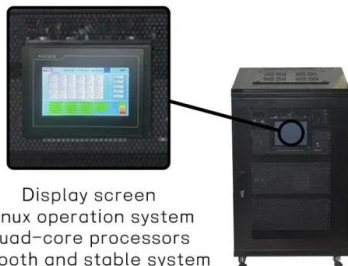
Exploring long-term strategies for the german energy transition

This, in turn, illustrates that there is still much need for research and discussion to identify feasible and sustainable transformation strategies towards a "net zero" energy system for Germany.



Mobile Solar Container Project ROI in Germany 2025: Cost ...

Why are German businesses racing to adopt mobile solar container projects? With industrial electricity prices hitting EURO.28/kWh and rising - 45% above the EU average - these plug-and-play systems ...



Display screen
Linux operation system
quad-core processors
smooth and stable system

solarfold , Mobile Solar Container

The innovative and mobile solar container contains 196 PV modules with a maximum nominal power rating of 130kW_p, and can be extended with suitable energy storage systems. The lightweight, ...

Germany/Belgium: Container Solutions to Standardise Commercial Solar

Current developments from German system supplier Aschoff Solar and Belgium system supplier Sunoptimo show that prefabricated solutions are also possible for large-scale, commercial systems ...



Contact Us

For catalog requests, pricing, or partnerships, please visit:
<https://www.fundacja64.pl>