

Greenvolt power United States





Greenvolt power United States

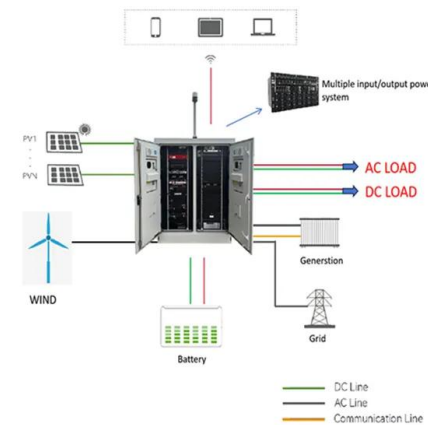


RedWind Renewables Sells Two Renewable Energy Projects to ...

In a strategic move, RedWind Renewables, a prominent utility-scale developer has officially sold two projects and entered into a development services agreement with ...

Greenvolt Power

Greenvolt Power is a fully operational renewable energy platform that develops and operates onshore Wind and photovoltaic installations across several countries with a solid proven track record.



Greenvolt completes entry into the American market

Greenvolt takes another step in its growth strategy by entering the American market. Through its subsidiary V-Ridium Power Group, it successfully completed the acquisition of resources from Oak Creek Energy Systems, a California-based company that has been developing, since 1982, renewable energy projects, including wind, in the United States

GreenVolt Power

Greenvolt Power specializes in providing high-performance, portable battery generators for diverse power needs. Our eco-friendly solutions



offer efficiency, durability, and peace of mind for individuals and businesses.



Greenvolt Power

Greenvolt Power is a global producer of renewable electricity that relies on experienced employees in Europe and the United States to apply their know-how and expertise to solar and wind projects, as well as energy storage.

Greenvolt Power Actualize inks 97MW of solar PPAs with US utility

US renewable energy developer Greenvolt Power Actualize has signed three power purchase agreements (PPAs) with a total capacity of 97MWdc with a major US utility.

- 5 Year Warranty Period
- 8 Year Global Leading Inverter Brand
- Top 3 World Single Phase PV Inverter Supplier



Greenvolt Power and Bedrock Renewables Partner Up to Deploy ...

Emerald EP is a joint venture between our team at Greenvolt Power North America and Bedrock Renewables that consolidates both companies' decades of proficiency in the onshore wind industry. Through this partnership, our teams will develop and acquire wind power assets in various stages of the development process to deliver green power fueled



Daiwa Energy & Infrastructure and Solariant Capital entered into ...

Greenvolt Power ("Greenvolt"), an international renewables company that delivers 100% green power, entered into an agreement to acquire their 125 MW Alamogordo Solar and 50 MW ...



Greenvolt completes entry into the American market

Greenvolt takes another step in its growth strategy by entering the American market. Through its subsidiary V-Ridium Power Group, it successfully completed the ...

Greenvolt Power

Greenvolt Power North America works with customers to develop comprehensive plans to extract the greatest value from every project we build. Our in-house team of experts is involved in the entire project development process, from greenfield through construction to operations.



Greenvolt Power and Bedrock Renewables Partner Up ...

Emerald EP is a joint venture between our team at Greenvolt Power North America and Bedrock Renewables that consolidates both companies' decades of proficiency in the onshore wind industry. Through this ...



Greenvolt Power Actualize inks 97MW of solar PPAs ...

US renewable energy developer Greenvolt Power Actualize has signed three power purchase agreements (PPAs) with a total capacity of 97MWdc with a major US utility.



Daiwa Energy & Infrastructure and Solariant Capital entered into ...

Greenvolt Power ("Greenvolt"), an international renewables company that delivers 100% green power, entered into an agreement to acquire their 125 MW Alamogordo Solar and 50 MW Storage Project (the "Project"). Solariant will remain involved in the project to see it through development and construction.

RedWind Renewables Sells Two Renewable Energy Projects to Greenvolt Power

In a strategic move, RedWind Renewables, a prominent utility-scale developer has officially sold two projects and entered into a development services agreement with Greenvolt Power, a global player in renewable energy development.



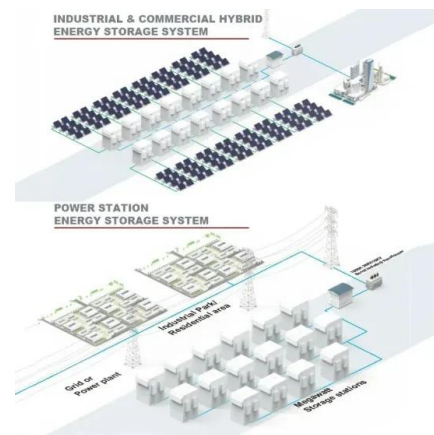
Greenvolt establishes a renewable energy collaboration in the ...

Greenvolt Power has successfully acquired two renewable projects and has entered into a development services agreement with RedWind Renewables. Together, they aim to undertake ...



Greenvolt establishes a renewable energy collaboration in the United States

Greenvolt Power has successfully acquired two renewable projects and has entered into a development services agreement with RedWind Renewables. Together, they aim to undertake the development of multiple projects across the United States.



Contact Us

For catalog requests, pricing, or partnerships, please visit:
<https://www.fundacja64.pl>