

How to store electricity fastest in solar container power stations





How to store electricity fastest in solar container power stations



The Advantages and Applications of Solar Power Containers

Mounted on the roof or deployable externally, these panels capture solar energy and convert it into electricity. High-capacity lithium or lead-acid batteries store excess energy for ...

Off-Grid Solar Storage Systems: Containerized Solutions for Reliable

Explore the benefits and technology behind containerized off-grid solar storage systems. Learn how these scalable, cost-efficient solutions provide reliable power and energy independence

...



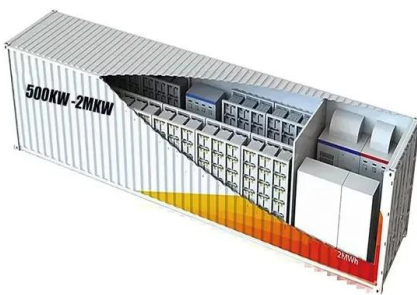
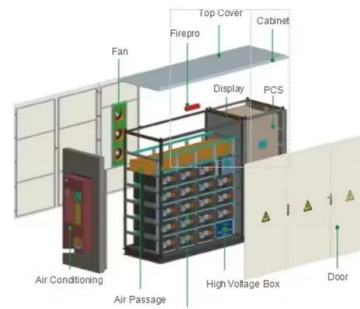
Shipping Container Solar Systems in Remote Locations: An Overview

Energy storage is managed through a robust lithium-ion battery bank designed and manufactured right here in the USA by Higher Wire. The battery store excess solar energy for use ...



THE POWER OF SOLAR ENERGY CONTAINERS: A ...

Explore a step-by-step breakdown of how solar containers harness and store solar energy. Understand the process of converting sunlight into DC electricity through photovoltaic ...



Container Energy Storage System: All You Need to Know

Container energy storage systems typically utilize advanced lithium-ion batteries, which offer high energy density, long lifespan, and excellent efficiency. This means that a larger amount of ...

How can energy storage power stations store electricity fastest?

Integrating energy storage systems with renewable energy production points allows for the immediate storage of excess generation, often applying battery systems to capture electricity during ...



Warranty **10 years**

- LiFePO₄
- Intelligent BMS
- Wide Temp: -20°C to 55°C



How Do Mobile Solar Containers Work Efficiently? A Real Look at ...

How do mobile solar containers work efficiently? Discover how smart EMS, battery optimization, and folding solar panels deliver clean, off-grid power anywhere.



Webflow: Create a custom website , Visual website builder

Create custom, responsive websites with the power of code -- visually. Design and build your site with a flexible CMS and top-tier hosting. Try Webflow for free.

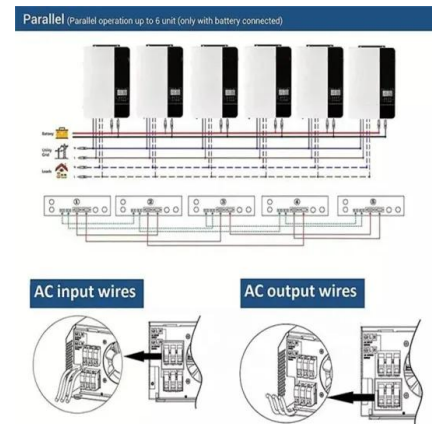


The LunaVault: Transform a 20-ft shipping container into a high

This ambitious endeavor transforms a standard 20-foot shipping container into a high-capacity, modular, and off-grid power system capable of supporting diverse energy needs.

Container Energy Storage: Versatile Solution for Energy Storage

Container energy storage is an integrated energy storage solution that encapsulates high-capacity storage batteries into a container. This energy storage container not only contains storage units, but ...



Container Energy Storage Battery Power Stations: The Future of ...

That's exactly what container energy storage battery power stations are achieving today. These modular systems are revolutionizing how we store and distribute renewable energy, offering ...



Contact Us

For catalog requests, pricing, or partnerships, please visit:
<https://www.fundacja64.pl>