

Klt energy Palestine





Klt energy Palestine



Strategic Paths for the Energy Sector in Palestine

The energy sector in Palestine faces significant challenges due to the geopolitical division of territories, cities, and communities. To achieve effective unification of electricity distribution, ...

Locally Developed Sustainable Energy Transitions ...

Engaging LGUs in the sustainable energy transition can directly achieve and accelerate SGDs at the local level. First, instead of providing LGUs with a complete grant to implement solar energy projects, UNDP's logic is to deploy ...



KLT Energy

KLT offers state-of-the-art technology for solar and wind energy production projects that provide design, construction, procurement, technological consulting and management services to customers at every stage of the projects.

(PDF) COUNTRY REPORT ON ENERGY EFFICIENCY AND ...

The main objective of the report is to identify the policy and regulatory risks and barriers by gathering updated information from market players on the investment climate, after an



overview of



Paving the Way for a Renewable Energy Future in ...

The Palestinian Energy and Natural Resources Authority (PENRA) aims to improve energy security by diversifying its sources of electricity and reducing the country's dependence on imported power supply; increasing the use of ...



An overview of renewable energy strategies and policies in Palestine ...

Palestine has a low energy intensity, measured as primary energy divided by GDP, which was only 3.3 MJ/US\$ in the year 2019 indicating a low energy consumption (UNCT & OPM, 2020). The World Bank Group (2017) study estimated the potential of available RE to approach 4246 MW of which 98.3% is solar energy.



Locally Developed Sustainable Energy Transitions Strengthen ...

Engaging LGUs in the sustainable energy transition can directly achieve and accelerate SGDs at the local level. First, instead of providing LGUs with a complete grant to implement solar energy projects, UNDP's logic is to deploy grants to reduce LGUs risks and equip them to attract, cooperate, and unlock private sector investments



(Goal 17).

Paving the Way for a Renewable Energy Future in Palestine

The Palestinian Energy and Natural Resources Authority (PENRA) aims to improve energy security by diversifying its sources of electricity and reducing the country's dependence on imported power supply; increasing the use of renewable sources of energy that are available to increase the share of clean power in the overall energy mix of the



An overview of renewable energy strategies and policies in ...

Palestine has a low energy intensity, measured as primary energy divided by GDP, which was only 3.3 MJ/US\$ in the year 2019 indicating a low energy consumption ...

Strategic Paths for the Energy Sector in Palestine (Executive ...

The Palestinian government seeks to develop the regulatory framework and policies and improve the sustainable energy sector, in cooperation with ministries and operating institutions, local authorities, private sector representatives, and international institutions, and adopt strategies to diversify electricity sources and reduce imports by 50%



KLT ENERGY

Your solution provider , Our Segments: Metals Minerals Mining (MMM) Industrial Manufacturing Power Generation and Distribution Our Services:



-Product supply -Engineering services -Turn-key project

Energy

The Palestinian energy sector faces several challenges, including growing energy demand, cost competitiveness, and financial sustainability. In the West Bank, electricity demand has grown to more than 1300 MW, with the vast majority supplied from Israel.



(PDF) COUNTRY REPORT ON ENERGY EFFICIENCY AND RENEWABLE ENERGY

The main objective of the report is to identify the policy and regulatory risks and barriers by gathering updated information from market players on the investment climate, after an overview of

Renewable energy potential in the State of Palestine: Proposals for

Renewable energy is not only a viable economic choice in Palestine, but it is also an imperative requirement to end the country's current energy crisis, which is particularly acute ...



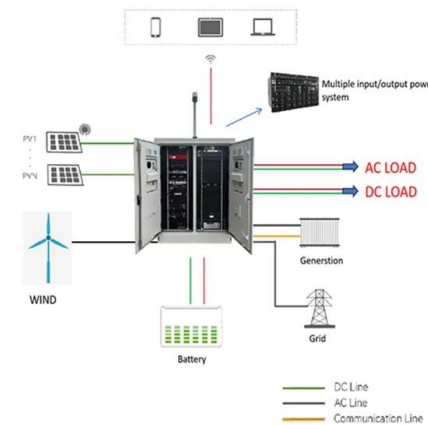


Strategic Paths for the Energy Sector in Palestine

The energy sector in Palestine faces significant challenges due to the geopolitical division of territories, cities, and communities. To achieve effective unification of electricity distribution, the five existing distribution companies

Renewable energy potential in the State of Palestine: Proposals ...

Renewable energy is not only a viable economic choice in Palestine, but it is also an imperative requirement to end the country's current energy crisis, which is particularly acute in the West Bank and Gaza Strip.



Strategic Paths for the Energy Sector in Palestine ...

The Palestinian government seeks to develop the regulatory framework and policies and improve the sustainable energy sector, in cooperation with ministries and operating institutions, local authorities, private sector representatives, and ...

Contact Us

For catalog requests, pricing, or partnerships, please visit:
<https://www.fundacja64.pl>