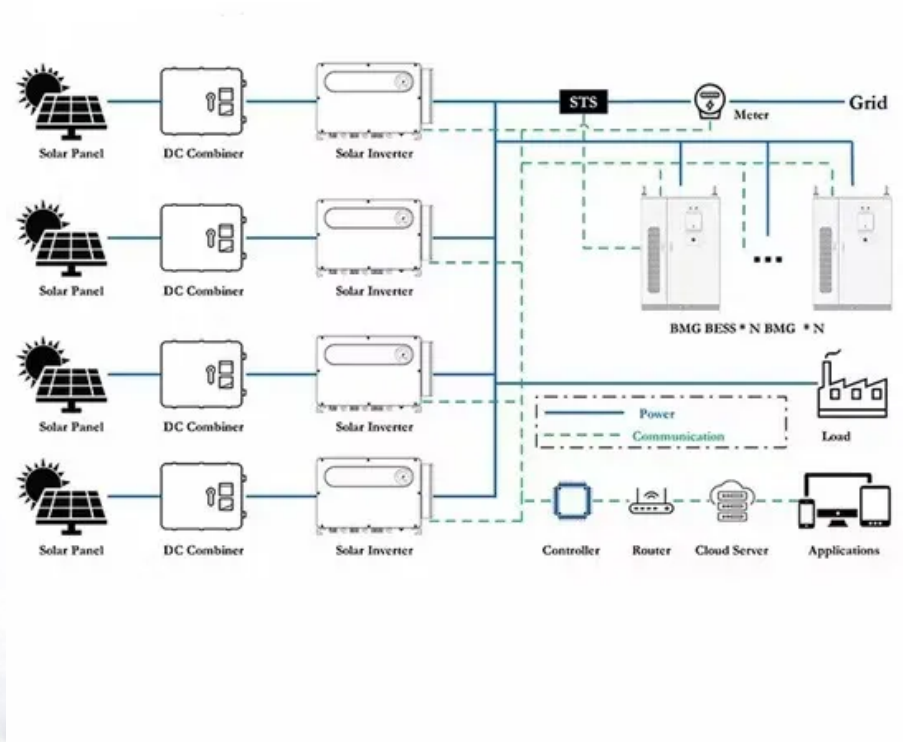


New transportation solar container plant operation information in the united states





Overview

In this article, we explore the key logistics challenges in the solar industry and the strategies shippers can use to optimize their supply chain—from port to project site. The Port Newark Container Terminal in New Jersey is now one of the few shipping hubs in the world to use on-site solar power to cut its own emissions (cropped; courtesy of Standard Solar). Support CleanTechnica's work through a Substack subscription or on Stripe. A bustling, sprawling, 320-acre. The Port Authority of New York and New Jersey, Port Newark Container Terminal (PNCT) and the city of Newark today announced the completion of a 7.2 megawatt (MW) solar installation at PNCT. The solar installation now generates 50 percent of the terminal's annual energy needs, greatly reducing. The Port Newark Container Terminal added 7.2 MW of solar capacity on structures without disrupting port operations. The Port Newark Container Terminal, the largest container terminal on the East Coast, supplying New York City and the Northeast broadly, installed a 7.2 MW solar project engineered to. We recommend the following 5 key areas for more efficient logistics operations. 1. Diversified transportation From inverter sourcing to panel delivery and installation, transportation alone takes up a significant part of your budget. Conducting route analyses, re-considering container. Mobile solar power containers are designed to provide renewable energy solutions in remote locations, temporary worksites, disaster zones, or military operations. Their portability is one of their key advantages, but transporting and deploying these systems requires careful planning to ensure. This is where a mobile solar containers can act as an additional power source to run the equipment. Good choice for disaster reliefs whenever it is important to deliver electricity as quickly as possible. Applicable for all sorts of refugee camps where it can produce electricity without any.



New transportation solar container plant operation information in t



Container to Power Plant: Integrated Testing for a Turnkey Solution

In this video, we take you through the process of turning a SolaraBox container into a fully operational solar power plant. From initial setup to integrated testing, we show you how our ...

UNLOCKING OFF-GRID POWER: THE ULTIMATE GUIDE TO SOLAR ENERGY CONTAINERS

In today's dynamic energy landscape, harnessing sustainable power sources has become more critical than ever. Among the innovative solutions paving the way forward, solar energy ...



Mobile Solar Containers , Green City Times

To Conclude: As the push toward decentralized energy grows, the mobile solar container is proving essential. From humanitarian missions to commercial operations, these containers provide reliable, ...



How Do Solar Power Containers Work and What Are They?

One such innovation gaining rapid adoption is the solar power container. Solar power containers combine solar photovoltaic (PV) systems, battery storage, inverters, and auxiliary



...



Solar container Mobil-Grid® 500+ solarfold , ECOSUN ...

Mobil-Grid® 500+ solarfold is a 20 Feet ISO High Cube container, with CSC certification, which integrates a plug and play pre-wired deployable and ...

TAX FREE

Product Model
HJ-ESS-215A(100KW/215KWH)
HJ-ESS-115A(50KW/115KWH)

Dimensions
1600*1280*2200mm
1600*1200*2000mm

Rated Battery Capacity
215KWH/115KWH

Battery Cooling Method
Air Cooled/Liquid Cooled

NEW SOLAR ENERGY INSTALLATION AT EAST COAST'S ...

The Port Authority of New York and New Jersey, Port Newark Container Terminal (PNCT) and the city of Newark today announced the completion of a 7.2 megawatt (MW) solar ...



The Advantages and Applications of Solar Power Containers

A solar power container is a pre-fabricated, portable unit--typically housed in a standard shipping container--that integrates photovoltaic panels, inverters, battery storage, and power ...





Mobil Grid® solar container , ECOSUN innovations

The Mobil-Grid ® is an ISO-standard, CSC-approved maritime container that integrates a photovoltaic power plant, ready to be deployed and connected, with ...



Custom Corrugated Packaging Solutions from Pratt ...

The 100% recycled paper is used to make new corrugated sheets, packaging and displays at our box, sheet and retail plants. Pratt Logistics manages delivery of ...

Annual Energy Outlook 2025

The Annual Energy Outlook 2025 (AEO2025) explores potential long-term energy trends in the United States. AEO2025 is published in accordance with Section 205c of the Department of ...

1mwh (500kw/1mw)
AIR COOLING
ENERGY STORAGE CONTAINER



Major East coast shipping port installs rooftop and truck lane canopy ...

The Port Newark Container Terminal, the largest container terminal on the East Coast, supplying New York City and the Northeast broadly, installed a 7.2 MW solar project engineered to ...



If They Can Put Solar Power Here, They Can Put It ...

At the Port Newark Container Terminal in New Jersey, solar panels have been shoehorned into a tightly packed, high-traffic shipping facility, without disrupting operations or taking up valuable



Modular Solar Power Station Containers: The Future of Scalable

Modular solar power station containers represent a revolutionary approach to renewable energy deployment, combining photovoltaic technology with standardized shipping container ...

Contact Us

For catalog requests, pricing, or partnerships, please visit:
<https://www.fundacja64.pl>