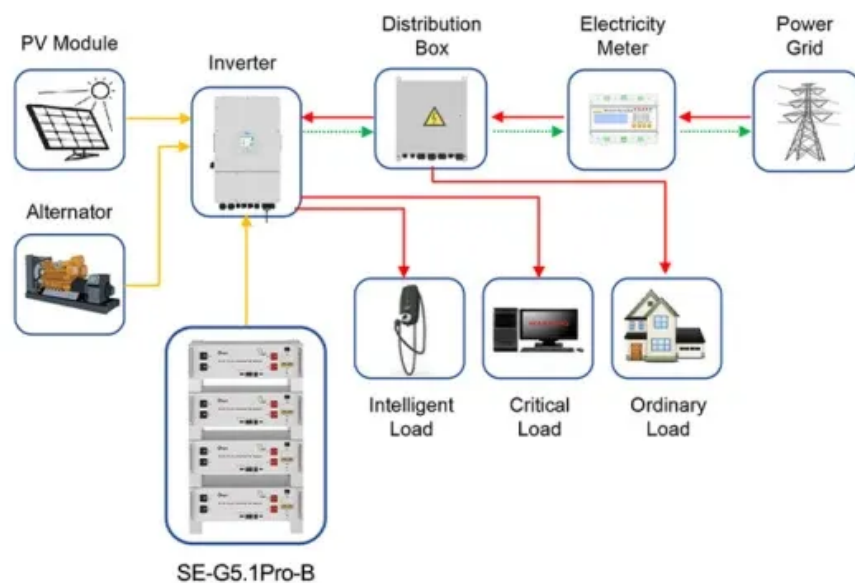


# Photovoltaic power generation and solar container in afghanistan



Application scenarios of energy storage battery products



## Overview

---

This project outlines the development of solar energy projects, including utility-scale solar farms, rooftop solar systems, and solar mini-grids for rural areas. These initiatives aim to reduce reliance on electricity imports, improve energy access, and promote. The solar systems ensure uninterrupted power supply, enabling better service delivery in health care, and education sectors apart from contributing to the local livelihoods. Afghanistan's electricity sector faces major challenges such as limited access to energy, especially in rural areas, and high. From 523 MW in 2024, Afghanistan aims for up to 5 GW renewable energy capacity by 2032. The construction of a 40 MW solar power plant is aligned with this strategy. (Photo Credit: Da Afghanistan Breshna Sherikat) Afghanistan has laid the foundation stone of a 40 MW solar PV power generation project. The photovoltaic energy storage system bridges this gap through: A typical Kabul installation combines: After installing a 250kW solar + 120kWh storage system in 2022: "Our bakery's refrigeration costs dropped by 55% after switching to solar-storage hybrid power." – Ahmad Zia, Kabul entrepreneur. Afghanistan's 300 sunny days per year offer immense solar energy potential to tackle electricity challenges. Afghanistan's abundant solar energy potential, with an average of 300 sunny days per year, presents a significant opportunity to address the country's electricity challenges. This project. Zularistan started operations in Afghanistan in partnership with a German-based solar company. The German company operates in different parts of the world as distributor of pv products and supplying a?

| Search among 13 authentic photovoltaic solar container project stock photos, high-definition. This guide outlines the key legal, fiscal, and operational regulations an investor will face when establishing a solar module factory in Afghanistan, transforming potential obstacles into a clear roadmap for success. How Are Shipping Containers Powered?

Learn about the potential of the LZY-MS1.



## Photovoltaic power generation and solar container in afghanistan

---



### Afghanistan solar container requirements

This guide outlines the key legal, fiscal, and operational regulations an investor will face when establishing a solar module factory in Afghanistan, transforming potential obstacles into a clear ...

### Solar energy storage in afghanistan

Solar energy for Afghanistan means: reliable electric power supply without negative environmental influences such as noise and stench by generators - and solar power systems already amortize ...



### (PDF) Review of Solar Energy Availability in Afghanistan

The main future challenges of solar energy in Daykundi province of Afghanistan is either to construct power plant at different districts or distribute ...

### Power Point Presentation

Privatization of Energy Sector Presidential degree for generation from Afghanistan's own resources  
Investment law - acquisition of land free of cost  
Generation, Transmission, Distribution and ...



## AFGHANISTAN PHOTOVOLTAIC SOLAR CONTAINER PROJECT

During use, the container is opened on one side, and the a?, Project Overview We successfully delivered a 20-foot all-in-one solar container system for an agricultural client in Saskatchewan, Canada.

## ENERGY PROFILE Afghanistan

tal primary energy supply. Energy trade includes all commodities in Chapter 27 of he Harmonised System (HS). Capacity utilisation is calculated as annual generation divided by year- nd capacity x ...



## Spatial modeling of solar photovoltaic power plant in Kabul, Afghanistan

Energy planning and solar plant site selections are vital strategic decisions and one of the most complex executive challenges in the interconnected procedures. It is essential to study the ...





## Afghanistan solar photovoltaic energy storage

Homeowners across Afghanistan are set to benefit from the country's first pay-as-you-go (PAYG) home solar systems combined with energy storage batteries, being delivered in a pioneering new



## Afghanistan: Solar assets, electricity production, and rural energy

Satellite-based solar insolation models and data collected in 2004-05 show large solar assets for the southern and western regions, dry and high reflective zones like deserts, plateaus and ...

## AFGHANISTAN SOLAR POWERED CONTAINER

Explore the latest Afghanistan Solar Energy Tenders and gain access to real-time government bids, eProcurement updates, and detailed information on government contracts in Afghanistan. [pdf]



## Investing in Afghanistan's Photovoltaic Power Station Energy Storage

Summary: Afghanistan's solar energy potential and growing demand for reliable electricity create unique opportunities for photovoltaic power station energy storage investments.



## Afghanistan's PV Energy Storage Requirements: Lighting Up the Future

But here's the twist: Afghanistan gets over 300 sunny days a year. If Afghanistan were a smartphone, sunlight would be its forever-full battery. The catch? Turning that solar potential into ...



## Analysis of solar photovoltaic and wind power potential in Afghanistan

Afghanistan has a need for increased access to energy to enable development. In this paper we analyze the potential for large-scale grid-connected solar photovoltaic (PV) and wind power ...

## Kabul 50 MW Solar PV Project A Game-Changer for Afghanistan s ...

SunContainer Innovations - Summary: The Kabul 50 MW Solar PV project marks a critical step in Afghanistan's transition to clean energy. This article explores its technical design, socio-economic ...



## AFGHANISTAN ELECTRIC ENERGY STORAGE PROJECT

Nairobi Solar Energy Storage Project KenGen, Kenya's leading electricity generation company, has launched a tender for a solar-plus-storage project named the Seven Forks solar power project, ...



## Kabul Photovoltaic Energy Storage System: Powering Afghanistan's

As Afghanistan seeks reliable energy solutions, the Kabul Photovoltaic Energy Storage System emerges as a game-changer. This article explores how solar-storage integration addresses energy deficits ...



## Zularistan Energy For Afghanistan - Zularistan Energy ...

Zularistan started operations in Afghanistan in partnership with a German-based solar company. The German company operates in different parts of the world as ...

## Investing in Afghanistan s Photovoltaic Power Station Energy Storage

Summary: Afghanistan's solar energy potential and growing demand for reliable electricity create unique opportunities for photovoltaic power station energy storage investments. This article explores market ...



## Solar Empowers Rural Afghanistan , American Solar Energy Society

Project installations also served as a means for training local technicians on good PV-system design and installation practices and educating communities about solar power. Our program ...



## Harnessing the sun to power Afghanistan's development

In response, the UNDP has launched solarization initiatives aiming to tackle Afghanistan's energy challenges through the implementation of solar power. The initiative focuses on ...



## AFGHANISTAN SOLAR POWERED CONTAINER

Afghanistan solar container photovoltaic solar container Major projects now deploy clusters of 20+ containers creating storage farms with 100+MWh capacity at costs below \$280/kWh. Technological ...

## SOLAR PANELS AND ENERGY STORAGE AFGHANISTAN

The project will (i) introduce the first-of-its-kind near-shore marine floating solar photovoltaic power plant; (ii) install a battery energy storage system (BESS) and transmission grid with smart energy ...



## Afghanistan Breaks Ground On 40 MW Solar PV Project

The office of the Deputy Prime Minister for Economic Affairs (DPMEA) shared that the solar PV project is targeted to be completed within 18 months. It will provide clean electricity to ...



## Afghanistan Solar electricity generation

Afghanistan: Solar electricity generation, billion kilowatthours: The latest value from 2023 is 0.09 billion kilowatthours, unchanged from 0.09 billion kilowatthours in 2022. In comparison, the world average is ...



**2MW / 5MWh**  
**Customizable**

## Contact Us

---

For catalog requests, pricing, or partnerships, please visit:  
<https://www.fundacja64.pl>