

Photovoltaic solar container industry production report





Overview

This report provides a thorough overview of the photovoltaic module solar container market, offering crucial insights into its current state and future trajectory. The global solar container market is expected to grow from USD 0.29 billion in 2025 to USD 0.83 million by 2030, at a CAGR of 23.8% during the forecast period. Growth is driven by the rising adoption of off-grid and hybrid power solutions, especially in remote, disaster-prone, and developing. The Solar Container industry is projected to grow from USD 5.18 Billion in 2025 to USD 30.46 Billion by 2035, exhibiting a compound annual growth rate (CAGR) of 19.38% during the forecast period 2025 - 2035. The Solar Container Market is experiencing robust growth driven by technological. The global market for Photovoltaic Container was valued at US\$ million in the year 2024 and is projected to reach a revised size of US\$ million by 2031, growing at a CAGR of % during the forecast period. Photovoltaic container integrates solar power and battery storage into a renewable microgrid. The Photovoltaic Container Market Size was valued at 2,780 USD Million in 2024. The Photovoltaic Container Market is expected to grow from 3,060 USD Million in 2025 to 8.2 USD Billion by 2035. The Photovoltaic Container Market CAGR (growth rate) is expected to be around 10.3% during the forecast. The global photovoltaic module solar container market is experiencing robust growth, driven by the increasing demand for clean and sustainable energy solutions across residential, commercial, and industrial sectors. The market's expansion is fueled by several key factors, including supportive. Download a free sample report to explore data scope, segmentation, Table of Content and analysis before you make a decision. The Photovoltaic Module Solar Container Market was valued at USD 1.5 billion in 2024 and is projected to reach USD 4.5 billion by 2034, registering a CAGR of 11.5%. This.



Photovoltaic solar container industry production report



Solar Container Market Size, Share and Growth Drivers 2030

The solar container market focuses on the development and deployment of containerized solar power systems designed to deliver portable, scalable, and sustainable energy solutions.

No.1 Capacity Solar Container , Solarabox

Each SolaraBox container is engineered by a certified R& D team with expertise in solar energy, electrical integration, and structural design. Our systems comply with standards for PV ...



2022 Annual Solar Photovoltaic Module Shipments Report

Data source: U.S. Energy Information Administration, Form EIA-63B, Annual and Monthly Photovoltaic Module Shipments Report
Note: Country-specific data are from monthly respondents only.

Spring 2024 Solar Industry Update

Spring 2024 Solar Industry Update David Feldman Jarett Zuboy Krysta Dummit, Solar Energy Technologies Office Dana Stright Matthew Heine Shayna Grossman, ORISEa Fellow Robert ...



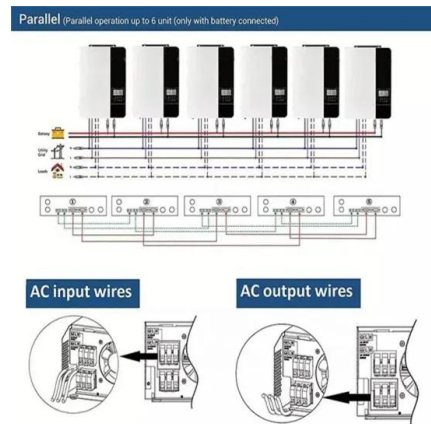
EERE Technical Report Template

The rapid expansion of solar energy has the potential to yield broad benefits in the form of economic activity and workforce development. The solar industry already employs roughly 230,000 people in ...



Saudi Arabia Container Photovoltaic Power System Market Green ...

The Saudi Arabia Container Photovoltaic Power System Market Research Report delivers a sharp, evidence-based assessment of market size, growth trajectories, and emerging shifts that will ...



Solar PV Global Supply Chains - Analysis

This special report examines solar PV supply chains from raw materials all the way to the finished product, spanning the five main segments of the manufacturing process: polysilicon, ingots, ...



Solar Container Market Size, Share and Growth Drivers ...

The global Solar Container Market size was estimated at USD 0.22 billion in 2024 and is predicted to increase from USD 0.29 billion in 2025 to approximately USD ...



**2MW / 5MWh
Customizable**



Photovoltaic Module Solar Container Market Size, Share, Growth

The Photovoltaic Module Solar Container Market size is expected to reach USD 4.5 billion in 2034 registering a CAGR of 11.5. This Photovoltaic Module Solar Container Market research ...

United States Solar Photovoltaic (PV) Wafer Cassette Market Cost

The industry comprises a mix of domestic manufacturers, international suppliers, and integrated supply chain players that focus on wafer cassettes designed for high-volume PV wafer ...



Solar Container Market Analysis: Opportunities in Remote Power

Solar containers provide businesses with flexible energy management, reduced utility costs, and sustainability compliance, making them attractive investments. Driving Factors in the ...



Solar Market Insight Report Q3 2025 - SEIA

Photovoltaic (PV) solar accounted for 56% of all new electricity-generating capacity additions in the first half of 2025, remaining the dominant form of new electricity-generating capacity ...



Solar Container Market Size, Share, Trends , Report 2035

The North American region remains the largest market for solar containers, driven by a strong emphasis on renewable energy adoption. Asia-Pacific is emerging as the fastest-growing region, fueled by ...

Contact Us

For catalog requests, pricing, or partnerships, please visit:
<https://www.fundacja64.pl>