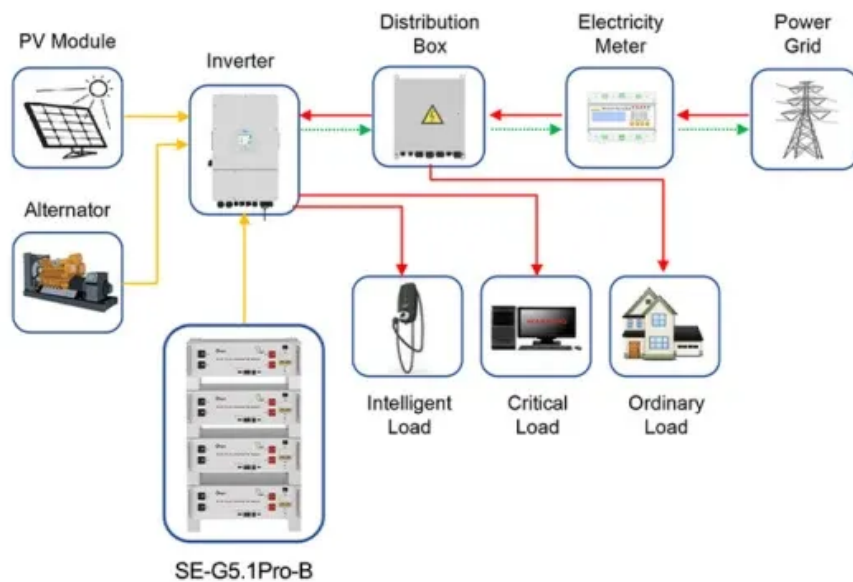


Rosso power storage



Application scenarios of energy storage battery products





Rosso power storage



Rosso Energy Storage Power Station: Powering the ...

A Texas-sized power bank that could charge every smartphone in North America simultaneously. While the newly operational Rosso Energy Storage Power Station isn't quite that ...

ROSSO ENERGY STORAGE STATION

While competitors' equipment fails like soggy toast, your IP65-rated modular energy storage system keeps humming along - dry, efficient, and fully operational. That's the power of weatherproof design ...



The Rosso Lithium Battery Energy Storage Project: Powering ...

Enter the Rosso Lithium Battery Energy Storage Project, a game-changer in how we store and manage renewable energy. Nestled in a region with booming solar and wind farms, this ...

Rosso Photovoltaic Energy Storage Project: Powering the Future with

The Rosso Photovoltaic Energy Storage Project solves this solar FOMO with a revolutionary battery system storing sunshine for rainy days. This \$220 million initiative in Southern Europe



isn't just ...



Why performance, not volume, now defines California's

Policy catalyzed California's storage buildout, but market signals are now sustaining it. This shows that when flexible assets are bankable, dispatchable, and fast enough to capture volatility, storage can ...

Rosso Power Storage: Solving Renewable Energy's Biggest ...

Rosso's "Lego-block" architecture lets users scale from 5kWh home systems to gigawatt-level industrial solutions. As we approach Q4 2024, their new stacking tech could potentially reduce installation time ...



When Sparks Fly: Unpacking the Rosso Energy Storage Power ...

That's essentially what happened during the Rosso Energy Storage Power Station fire last March, where a routine maintenance check escalated into a 72-hour inferno. As the energy storage industry ...



California Energy Storage System Survey

CAISO BESS: A Battery Energy Storage System (BESS) managed by the California Independent System Operator (CAISO). It stores and releases electricity to help balance supply and demand, ...



ROSSO Power MSIII6000RT 6000VA UPS ROS-RTD4U-6000

ROSSO Power MSIII6000RT 6000VA UPS ROS-RTD4U-6000 The compact version with batteries included is the simplest choice for server protection. Ideal for IT loads & servers, Critical loads, ...

2025 MadJax X4 Non-Lifted , Golf Carts for Sale, Chisago City MN

New 2025 Rosso Red MadJax X4 Non-Lifted from Lakes Area Golf Carts in Chisago City, Minnesota. Get specs, prices & photos of Golf Carts for sale.



Contact Us

For catalog requests, pricing, or partnerships, please visit:
<https://www.fundacja64.pl>