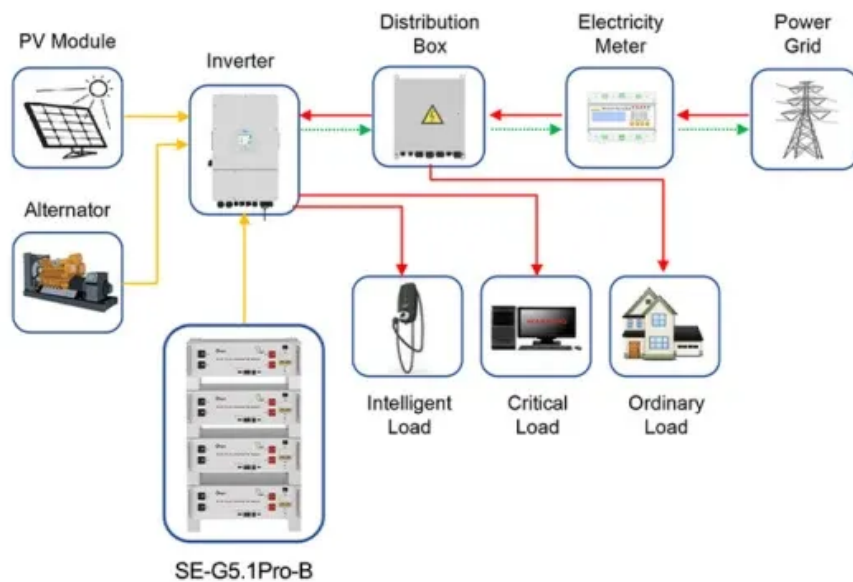


Solar container enterprise pe



Application scenarios of energy storage battery products





Solar container enterprise pe



Mobile Solar Containers , SolaraBox Portable & Rapid-Deploy Solar ...

SolaraBox is built to solve project power needs. The system is modular and easily scalable: you can add multiple units to increase output, and it supports on-grid, off-grid, and hybrid configurations.

Solar Container Market Size, Growth & Opportunity Overview ...

The Solar Container Market size is expected to reach USD 7.9 billion in 2034 growing at a CAGR of 10.9. Focused on Solar Container Market size, segmentation, consumer behavior, demand trends, ...

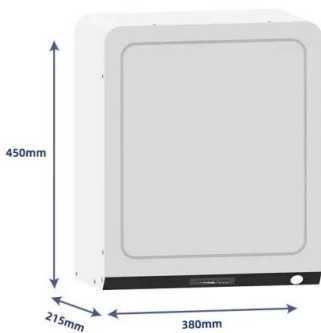


GE Breaks Ground on New York Solar Installation for President Container

SCHENECTADY, N.Y.-May 29, 2015-GE's (NYSE: GE) renewable energy business today announced it will supply President Container Group (PCG), a manufacturer of corrugated ...

Mobile solar container

Mobile solar container Huijue Group's Mobile Solar Container offers a compact, transportable solar power system with integrated panels, battery storage, and smart management, providing reliable ...



Unraveling the Solar Container: Future of Renewable Energy

The current development status of the solar container is a subject of considerable interest and holds crucial insights into the potential it holds for the global energy sector. Currently, on a global ...

Mobile Solar Container Power Generation Efficiency: Real-World

Discover how mobile solar containers deliver efficient, off-grid power with real-world data, innovations, and case studies like the LZY-MS1 model.



Solar container strength enterprise

Solar container strength enterprise What is a solarcontainer? The Solarcontainer is a photovoltaic power plantthat was specially developed as a mobile power generator with collapsible PV modules as a ...



Solar Container , Large Mobile Solar Power Systems

Discover our range of innovative solar panels on shipping container products engineered to meet your renewable energy needs with maximum efficiency and reliability.



Solar Container Companies

In the solar container market, the company focuses on delivering mobile energy units for military, disaster recovery, and field operations. Its containerized solar systems are engineered to withstand ...

SolarBox Solar Containers , Products & Configurations

A mobile solar container is a factory-built, transportable unit that integrates solar panels, battery storage, and power controls--providing plug-and-play, rapid-deploy clean electricity for remote sites, events, ...



Support any customization

Inkjet

Color label

LOGO



Solar Container

The global Solar Container market size is expected to reach US\$ million by 2029, growing at a CAGR of % from 2023 to 2029. The market is mainly driven by the significant applications of Solar Container in ...



Mobile Solar Container Report 2025: Growth Driven by Government

The mobile solar container market, estimated at millions of units in 2025, exhibits a fragmented landscape with numerous players vying for market share. Key characteristics include ...



Solar Container Power Systems Market Size, Potential, Competitive

The Solar Container Power Systems market is a burgeoning segment of the renewable energy sector, characterized by the integration of solar energy generation and energy storage technologies within ...

Mobile solar container

Huijue Group's Mobile Solar Container offers a compact, transportable solar power system with integrated panels, battery storage, and smart management, providing reliable clean energy for off ...



No.1 Capacity Solar Container , Solarabox

The container is equipped with foldable high-efficiency solar panels, holding 168-336 panels that deliver 50-168 kWp of power. It is the perfect alternative to unstable grid power and ...



Solar Container Power Systems 2025-2033 Trends: Unveiling Growth

The global solar container power systems market is experiencing robust growth, driven by increasing demand for reliable and sustainable off-grid and backup power solutions. The market, ...



Company Profile

Company Profile SolaraBox is a specialist in designing and manufacturing high-quality standard and custom solar container solutions. We combine advanced manufacturing equipment with the expertise ...

Mobile Solar PV Containers Manufacturer , LZY Container

Your trusted solar containers partner Established in 2012 and operating from Shanghai, China, Shanghai LZY Energy Storage Co., Ltd. is a scientific and ...



Contact Us

For catalog requests, pricing, or partnerships, please visit:
<https://www.fundacja64.pl>