

Solar container project construction in iran developed countries





Overview

Major projects now deploy clusters of 20+ containers creating storage farms with 100+MWh capacity at costs below \$280/kWh. Technological advancements are dramatically improving solar storage container performance while reducing costs. Recently, Jafar Mohammadi Nejad Sijaroudi, Deputy Director of Investment at Iran's Renewable Energy and Energy Efficiency Organization (SATBA), confirmed that the country has issued construction permits for nearly 100 GW of solar power projects. Sijaroudi stated that renewable energy sources such. Iran has officially issued permits for the construction of 29 new solar farms, a clear signal of its commitment to diversifying its energy portfolio. This move is a cornerstone of a much larger national strategy and has intriguing implications not just for the country's energy security, but for its. The recent opening of Iran's largest solar power plant, Aftab Sharq, in central Isfahan province, marks a significant milestone in the country's pursuit of self-sufficient renewable energy technology. President Masoud Pezeshkian officially inaugurated the 120 MW Aftab Sharq facility in the presence. This government subsidy structure effectively covers up to 40% of the installation cost for 2 kW to 3 kW systems and 60% for systems up to 1 kW. This makes solar energy . The year 2025 brings significant updates to government subsidies for container home buyers, reflecting a growing commitment to. tering this previously restricted market. Just a year later and the Middle Eastern giant can already boast its first two large-scale solar plants, with the project rights developed by local firm Aftab Mad Rah Abrisham, but delivered and wholly f nd are named Persian Gulf and Amir Kabir. Both are. Iran has taken a major step toward expanding its clean energy capacity by granting construction permits for nearly 100 gigawatts (GW) of solar power projects, aimed at attracting private sector investment and strengthening the country's renewable energy ecosystem. The development was confirmed by.



Solar container project construction in iran developed countries



Iran issues construction permits for 4 GW of solar projects

The Iranian Ministry of Energy has issued permits for the construction of solar projects across Iran with a total capacity of 4 GW. The solar plants, which will receive state support, are ...

IRAN BECOMES THE FIFTH COUNTRY TO DEVELOP ADVANCED

The global solar storage container market is experiencing explosive growth, with demand increasing by over 200% in the past two years. Pre-fabricated containerized solutions now account for ...



Solar photovoltaic power generation in Iran: Development, policies, ...

Gorjian and Ghobadian (2015) studied the potential of solar energy and discussed the situation of solar thermal power plants in Iran as well as the state of electricity production from fossil ...

Building Applied Photovoltaic Systems in Iran: Opportunities and

The construction of the module and solar cell production factory in Iran started in 1992 and then the production of electricity from sunlight is taken into consideration.

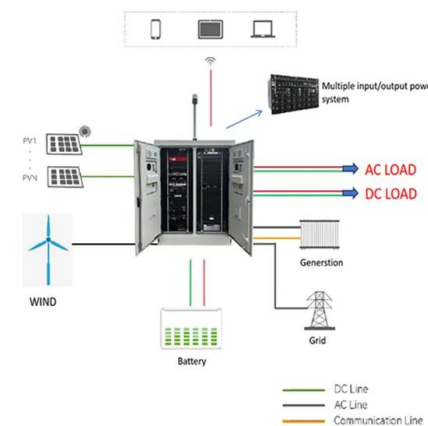


Great Investment Leads to Construction of Largest Middle East Solar

The executive operation of constructing the largest Iranian factory to manufacture solar cells has started in Mahan County, Kerman Province, the representative of Kerman and Ravar in the ...

Iran Approves 100 GW Solar Projects to Drive Clean Energy Growth

Iran has taken a major step toward expanding its clean energy capacity by granting construction permits for nearly 100 gigawatts (GW) of solar power projects, aimed at attracting ...



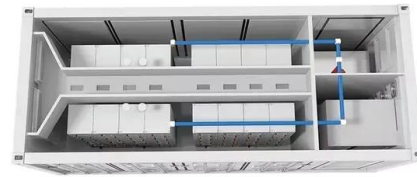
Iran Negotiates with Chinese Firms to Expand Solar Power, Energy

Iran is in talks with several leading Chinese companies to develop solar power plants and battery energy storage systems (BESS) as part of its strategy to increase renewable energy ...



Construction of Iran's Largest Fully Private Solar Power Plant by

Arzesh Holding proudly announces the commencement of constructing the largest fully private solar power plant in the country -- a project that will be implemented in two phases across ...



ESS



Solar energy in Iran: Current state and outlook

Abstract This paper introduces the resource, status and prospect of solar energy in Iran briefly. Among renewable energy sources, Iran has a high solar energy potential. The widespread ...

Italian, Chinese partnership eyes 1 GW of solar projects ...

Chinese metallurgical and energy group Sinosteel Corp has signed a pact with Italy-based Denikon to jointly build a solar park in Iran with a capacity ...



Iran Approves 100GW Solar Power Projects

Recently, Jafar Mohammadi Nejad Sijaroudi, Deputy Director of Investment at Iran's Renewable Energy and Energy Efficiency Organization (SATBA), confirmed that the country has ...



Retractable solar panel container off-grid project cost in Iran

This is the product of combining collapsible solar panels with a reinforced shipping container to provide a mobile solar power system for off-grid or remote locations. Unlike standard solar panel containers, ...



Display screen
Linux operation system
quad-core processors
smooth and stable system



Iran Dedicates Over 2,000 Hectares For Solar Farms In Push For

Iran allocates 2,178 hectares of land for solar farms, aiming to launch two specialized solar parks by February 2024. The move aligns with the country's commitment to renewable energy, ...

Government subsidy for container solar solutions in Iran

Explore Iran solar panel manufacturing landscape through detailed market analysis, production statistics, and industry insights. Comprehensive data on capacity, costs, and growth.



Impressive Iran solar capacity: 29,000 MW Permits in 2025

Constructing 29 solar farms is a monumental undertaking that requires a deep understanding of photovoltaic technology and logistics. The journey from a government permit to a ...



Iran's SATBA Advances 1,000 Decentralized Solar Plants to Stabilize

SATBA pushes forward construction of 1,000 solar power plants in Iran to reduce grid losses, boost stability, and attract private investment.



Future prospects for solar energy production and storage in Iran

By 2030, Iran must reduce greenhouse gas emissions by 4 to 12% according to the Paris Agreement terms [18]. Despite having some of the world's lowest shares of low-carbon energy, many countries ...

Renewable Energy Projects In Iran

Iran also has a Foreign Investment Promotion and Protection Act (known as FIPPA) and Implementation Regulations. FIPPA is designed to encourage and protect foreign investments in ...



WHICH COMPANIES HAVE SOLAR CONTAINER PROJECTS ...

This report profiles key players in the global Solar Container market based on the following parameters - company overview, production, value, price, gross margin, product portfolio, geographical presence, ...



Contact Us

For catalog requests, pricing, or partnerships, please visit:
<https://www.fundacja64.pl>