

Suppliers of solar panels in Canada





Overview

This article explores the top solar panel companies in Canada, comprehensively comparing their products' key features, performance metrics, and advantages.



Suppliers of solar panels in Canada

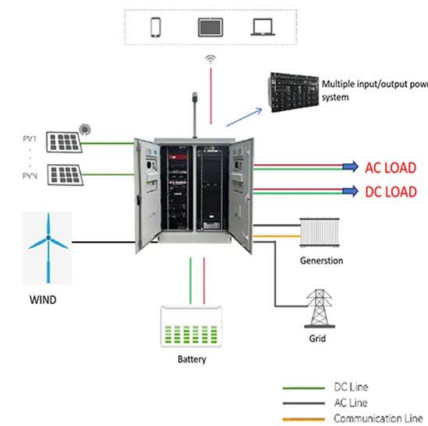


Solar Panels Canada , Canada Solar Panels

Established as a leader in renewable energy solutions, Solar Panels Canada focuses on installing top-tier solar panel systems across the great Canadian landscape. Our expertise ranges from residential solar installations, commercial setups to larger industrial solar projects.

Solar Panels, Lithium Batteries, Generators, Inverters in Canada

Shop CDN Solar for top solar panels, inverters, eBox, Victron products, LFP batteries, and generators. Quality Canadian solar solutions for homes, RVs, and off-grid systems



Official Dealer of SunPower Solar Panels in Canada , Volts Energies

Buy Best Solar Panels Canada online. Sunpower solar panels are designed to be more efficient, produce more energy and last longer in solar power systems with a life span of 40 years. In addition, Sunpower Maxeon Cells are designed to bend under pressure compared to conventional panels that break in similar situations.

High-Quality Solar Panels

Our high-efficiency solar panels come in a variety of wattages and different styles like mono solar panels, bi-facial, split cell, and flexible solar



panels from brands like Canadian Solar, Qcell, Longi, and more.



Solar Power Store Canada , Simple & Easy Solar Power Solutions

Solar power equipment, complete solar power systems, and turnkey solar power solutions for Canadian homeowners, commercial businesses, agriculture, remote applications, and more. Off-grid, grid-tied, and hybrid solar power systems.

Canada's Most Trusted Solar Equipment Supplier

With over 30 years of experience in the solar industry, Frankensolar has developed Canada's most extensive portfolio of solar equipment manufacturers. Frankensolar supplies Solar Modules made by Hanwha Q-Cells, LG, LONGi Solar, Trinasolar, and AXITEC. Solar Inverters by SMA, APS, Fronius, Huawei, Sungrow, and SolarEdge.

114KWh ESS



Canadian Solar - Global

Under Dr. Qu's leadership, we have grown into one of the world's largest solar photovoltaic products and energy solutions providers, as well as one of the largest solar power plant developers globally.



Home , Charge Solar

Charge Solar is Canada's most trusted residential, commercial, industrial, and recreational solar power supplier. For over 30 years we have helped Canadians realize their dreams of switching to renewable energy through our ...



Solar Panels Canada , Renewable Energy Systems , Raysolar

Raysolar, a leading Canadian business, offers high-quality Polycrystalline PV Solar Panels and Portable Folding Solar Panels, ensuring value and adherence to strict engineering standards. Shop Solar Panels

Contact Us

For catalog requests, pricing, or partnerships, please visit:
<https://www.fundacja64.pl>