

The solar panel Malawi





The solar panel Malawi



Salima Solar - InfraCo Africa

As the country's first commercial-scale solar IPP, Salima Solar has considerable potential for replication; promoting further development of Malawi's solar resource. By also demonstrating the efficacy of government regulatory frameworks, the project is expected to increase investor confidence and so facilitate future private and DFI

Solar System Installers in Malawi , PV Companies List , ENF ...

Malawian solar panel installers - showing companies in Malawi that undertake solar panel installation, including rooftop and standalone solar systems. 14 installers based in Malawi are listed below.



Malawi, Salima Solar -- JCM Power

The Salima project is the first solar IPP and largest IPP in Malawi and is a result of JCM's pioneering activities in the country since 2013. JCM signed a power purchase agreement (PPA) with the Electricity Supply Corporation of Malawi Limited (ESCOM) and obtained all the permits and Land Agreements, in addition with an Implementation

RECAPO - Energy Solutions for the Modern Household and Business

RECAPO is the leading supplier of solar electricity and accessory products to rural and semi-urban



communities in Malawi. Since 2014, we have pioneered the use of renewable energy to replace traditional resources from fossil fuels and other dangerous and polluting resources.



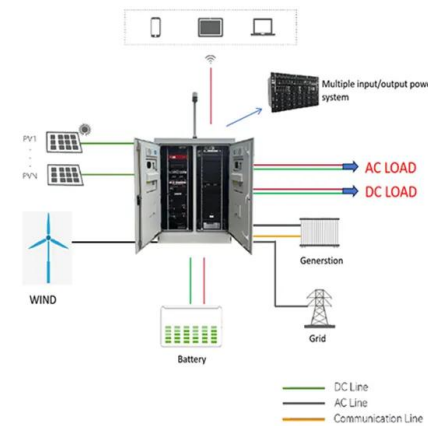
Zasolar, Home

ZASOLAR is an energy company, a champion of innovation for renewable and sustainable energy access for all in Malawi. Our mission is to enhance access to affordable renewable and sustainable energy in the last-mile and underserved communities through a distribution network that involves often excluded groups such as women and youth.



The Future of Solar Power in Malawi Looks Bright

The project confirms that rural communities benefit from solar panel grids, providing better access to impoverished communities than the conventional electric grid. The Sitolo project connects over 700 people and three villages and hints at a bright future for solar power in Malawi.



Affordable Solar Power is Increasing Electricity Access for Malawi...

The reduced cost of solar electricity has made electricity access affordable even to low-income households. Off-Grid electricity is playing a critical role in rapidly scaling up electricity access in many households that are far from the national grid and where affordability remains a challenge.



RECAPO - Energy Solutions for the Modern Household ...

RECAPO is the leading supplier of solar electricity and accessory products to rural and semi-urban communities in Malawi. Since 2014, we have pioneered the use of renewable energy to replace traditional resources from fossil fuels and

...



Contact Us

For catalog requests, pricing, or partnerships, please visit:
<https://www.fundacja64.pl>