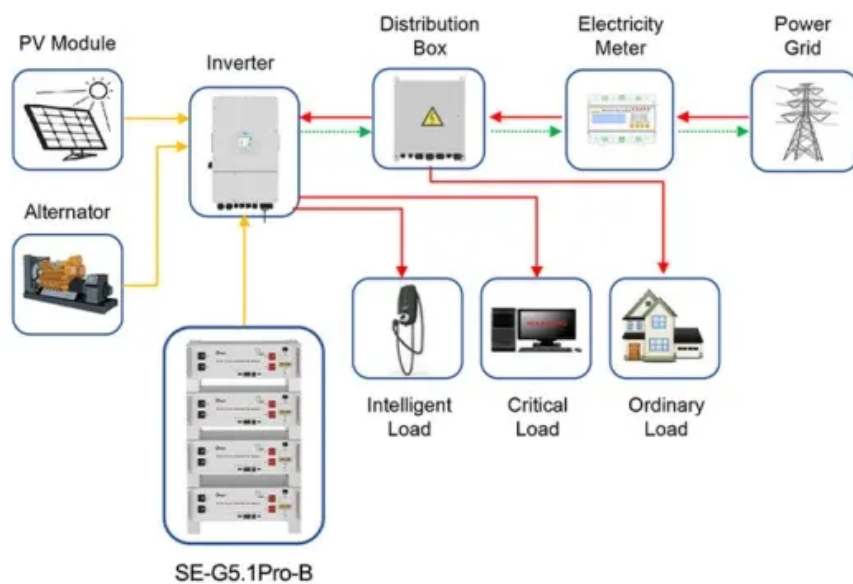


# Tonga 3 mwh battery



Application scenarios of energy storage battery products





## Tonga 3 mwh battery

---



### Tonga's first BESS project inaugurated

A 300MW/600MWh battery energy storage system (BESS) developed by Ørsted will be co-located with its Hornsea 3 Offshore Wind Farm onshore substation. Flow battery player Invinity claims new product can ...

### Tonga

The two battery storage facilities installed in Tonga are complementary: the aim of the first 5 MWh / 10 MW battery is to improve the electricity grid's stability (regulating the voltage and frequency), while the second 23 MWh / 7 MW battery is designed to transfer the electrical load in order to help the grid supply electricity at peak times



### Battery Energy Storage Systems , Tonga Power Limited

Battery Energy Storage Systems are a vital component to reaching Tonga's 50% Renewable Energy target by end of year 2020. Battery Energy storage systems will be able to store renewable energy generated from our existing solar and wind generation sites and distribute it to the people of Tonga when required.

### Présentation PowerPoint

Tonga Renewable Energy Program 2 (TREP2 / Tonga 2) o 7 MW / 24 MWh (3.5 hours) installed o Load-shifting purpose o 5 Storage GEM / 40-feet



- o External inverters
- o BESS substation
- o Contract: ~10.5 mnUSD (2019) (multi-currency)
- o Client: Tonga Power Limited
- o Funding Program: Tonga Renewable Energy Project
- o Battery cells



### Official Completion Ceremony for Tonga's 1st ever ...

The two Battery Energy Storage systems are deliverables of the Tonga Renewable Energy Project (TREP) located in two separate locations. The first BESS, which is for grid stabilization, is located at the Popua Power Station ...

### Présentation PowerPoint

- o Tonga Renewable Energy Program 2 (TREP2 / Tonga 2)
- o 7 MW / 24 MWh (3.5 hours) installed
- o Load-shifting purpose
- o 5 Storage GEM / 40-feet
- o External inverters
- o BESS substation
- o ...



### Battery Energy Storage Systems , Tonga Power Limited

Battery Energy Storage Systems are a vital component to reaching Tonga's 50% Renewable Energy target by end of year 2020. Battery Energy storage systems will be able to store renewable energy generated from our existing solar and ...





## Tonga's first large-scale battery systems take country closer to

Located on Tonga's biggest island, Tongatapu, there is a short-duration system of 9.3MW/5.3MWh (7.2MW/3.8MWh usable) designed for grid stability applications, ...



## Large scale batteries help Tonga ditch its reliance on dirty diesel ...

The nation's first large-scale 5 MW battery has a storage capacity of 2.5 MWh. It will store renewable energy, meaning more wind and solar power can now be built across the island. Island nation wants 70% renewables by 2030

## Official Completion Ceremony for Tonga's 1st ever Large-Scale Battery ...

The two Battery Energy Storage systems are deliverables of the Tonga Renewable Energy Project (TREP) located in two separate locations. The first BESS, which is for grid stabilization, is located at the Popua Power Station and the second BESS, which is for load shifting, is located right behind NEMO's new operations facility in Matatooa, Tofoa.



## Chapter 18: 3.2 Tonga Renewable Energy Project

This publication highlights lessons from 26 case studies in the Cook Islands and Tonga. It provides recommendations on how to improve the implementation of battery energy storage and renewable energy-based hybrid electricity systems.



### Tonga's first large-scale battery systems take country closer to

Located on Tonga's biggest island, Tongatapu, there is a short-duration system of 9.3MW/5.3MWh (7.2MW/3.8MWh usable) designed for grid stability applications, and a 3.3-hour duration system of 7.2MW/23.9MWh (6MW/20.88MWh usable) ...



### Large scale batteries help Tonga ditch its reliance on dirty diesel ...

The nation's first large-scale 5 MW battery has a storage capacity of 2.5 MWh. It will store renewable energy, meaning more wind and solar power can now be built across the ...

### Chapter 18: 3.2 Tonga Renewable Energy Project

This publication highlights lessons from 26 case studies in the Cook Islands and Tonga. It provides recommendations on how to improve the implementation of battery energy storage ...





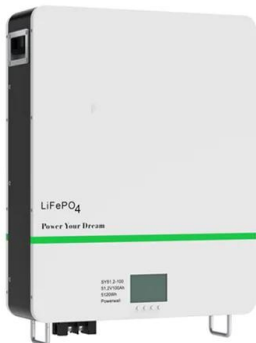
## Akuo powers up South Pacific's largest battery system in Tonga

French renewable power producer and developer Akuo has brought online a 16.5-MW/29.2-MWh battery energy storage complex in Tonga, touted as the largest one in the South Pacific.



## Akuo powers up South Pacific's largest battery system ...

French renewable power producer and developer Akuo has brought online a 16.5-MW/29.2-MWh battery energy storage complex in Tonga, touted as the largest one in the South Pacific.



## Tonga's first BESS project inaugurated

A 300MW/600MWh battery energy storage system (BESS) developed by Ørsted will be co-located with its Hornsea 3 Offshore Wind Farm onshore substation. Flow battery player Invinity claims new product can enable 'solar baseload' for the grid

## Contact Us

For catalog requests, pricing, or partnerships, please visit:  
<https://www.fundacja64.pl>