

# **What are the applications of home solar container**





## Overview

---

As demand grows for energy-efficient, off-grid housing, solar container houses are stepping in to meet the needs of cold regions. These modular units are perfect for industries like mining, research, and emergency relief, where building traditional structures is costly and often. A solar container is essentially a portable, self-contained unit equipped with solar panels that harness sunlight to generate electricity. By integrating solar containers into residential settings, individuals can significantly reduce their carbon footprint, lower energy costs, and promote. In an era where sustainable energy solutions are increasingly vital, solar containers have emerged as innovative and practical options for harnessing solar power on the go. These versatile structures are designed to provide portable access to renewable energy, making them ideal for various. A solar container represents an innovative leap in the quest for sustainable energy solutions, combining convenience with renewable power generation. These portable, modular units house solar panels and energy storage systems, enabling efficient energy production and usage in various locations. These innovative, modular living units aren't just mobile—they're powered by integrated photovoltaic systems, making them a self-sustaining housing solution for off-grid and urban applications alike. Before, portable housing was always equated with compromise—low comfort, insecure power delivery. In recent years, solar power containers have emerged as a flexible, efficient, and sustainable energy solution, particularly for applications that require off-grid power or mobile energy systems. These containers, typically equipped with solar panels, batteries, and inverters, offer a wide range of. Among the innovative solutions paving the way forward, solar energy containers stand out as a beacon of off-grid power excellence. In this comprehensive guide, we delve into the workings, applications, and benefits of these revolutionary systems. Solar energy containers encapsulate cutting-edge.



## What are the applications of home solar container

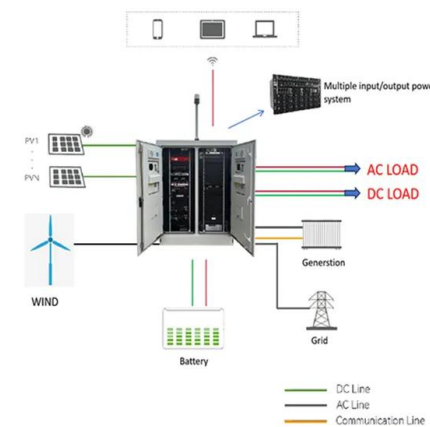


### THE POWER OF SOLAR ENERGY CONTAINERS: A ...

In this guide, we'll explore the components, working principle, advantages, applications, and future trends of solar energy containers. Section 1: Components of a Solar Container ...

### Solar containers, solutions for quick solar power supply ...

The advantages of using solar containers ERM Energies, expert in autonomous solar installations, design custom-made solar containers proudly manufactured ...



### Solar Containers is a portable energy revolution for all uses

What Is a Shipping Container with Solar Panels? Solar shipping container condenses it all into electricity production and energy storage in a 40-foot or 20-foot shipping container, plug-and ...

### UNLOCKING OFF-GRID POWER: THE ULTIMATE GUIDE TO ...

Solar energy containers encapsulate cutting-edge technology designed to capture and convert sunlight into usable electricity, particularly in remote or off-grid locations.



Comprising solar ...

Support Customized Product



**Outdoor Cabinet BESS**  
50 kWh/500 kWh Battery Storage System  
Industrial and Commercial Energy Storage

- All in One**  
Integrating battery packs
- High-capacity**  
50-500kWh
- Degree of Protection**  
IP54
- Operating Temperature Range**  
-20~60°C.(Derating above 50 °C)
- Intelligent Integration**  
integrated photovoltaic storage cabinet
- Rated AC Power**  
50-100kW
- Altitude**  
3000m(>3000m derating)

### 5 Benefits of Using a Solar Container for Energy

In a world obsessed with convenience and sustainability, solar containers tick all the boxes. They're fast to deploy, cost-effective, environmentally friendly, and flexible to your needs.

### How to Use Solar Containers for Sustainable Energy ...

In this guide, we will explore the various ways solar containers can be effectively utilized at home, highlighting their benefits, installation tips, and potential challenges.



### What Is a Solar Power Container? , SolarBox Guide

What is a Solar Power Container? A solar power container is a mobile, self-contained energy unit that integrates solar panels, batteries, and power management systems into a standard ...



## The Advantages and Applications of Solar Power Containers

A solar power container is a pre-fabricated, portable unit--typically housed in a standard shipping container--that integrates photovoltaic panels, inverters, battery storage, and power ...



### 100% Solar Powered Shipping Container Home Tour , Building a 20ft

Thank you for watching and please make sure to subscribe!!!Do you want to buy THIS completed unit or want to buy one in the next year? Fill out a quick inter

### Solar panels Container

The Solar PV Container is a containerized solar power solution has been designed with the aim of combining solar electricity production and mobility to provide this electricity everywhere around the ...



### What is a Solar Container and How Does it Work for Sustainable ...

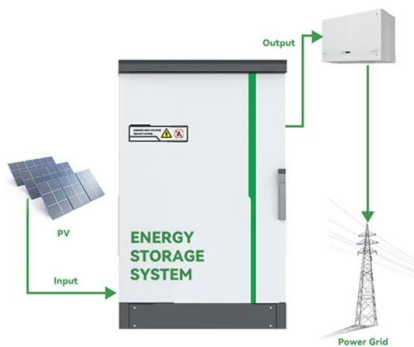
The purpose of a solar container extends beyond mere energy generation. These systems can be employed for emergency power supply during disasters, support sustainable construction projects, or ...



## Shipping Container Home with Solar Panels: Features, Dimensions, ...

Curious about shipping container homes with solar panels? Learn about their features, sustainability benefits, customization options, and cost-effectiveness.

### ESS

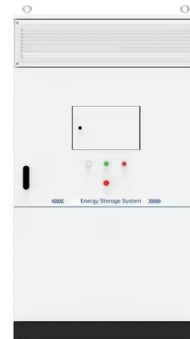


## Adding a Solar Roof to our OFF-GRID Container Home

We install solar panels and off grid battery system on our 20' shipping container tiny house! // Thanks to Anker for sponsoring this video. Introducing the A

## Discover the Future of Housing: Portable Solar Containers

With the advent of portable solar container technology, though, such is no longer the case. Contemporary units now come equipped with climate control, premium insulation, energy ...



## Key Advantages of Using a Solar Power Container

Whether you're seeking a reliable power source for a remote site, an emergency backup solution, or a portable system for temporary applications, solar power containers present an ideal ...



## 10 Best Solar Container Solutions for Sustainable Energy on the Go

In this article, we will explore the ten best solar container solutions available today, highlighting their unique features and the benefits they offer for sustainable energy practices.



### Mobile Solar Containers , SolaraBox Portable & Rapid-Deploy Solar ...

SolaraBox Mobile Solar Containers: deliver 400-670 kWh/day with foldable solar arrays. Rapid-deploy, modular, rugged, and certified for off-grid, on-grid, or hybrid solutions.

### How does an expandable solar container house work?

At its core, an expandable solar container house is a repurposed shipping container equipped with solar panels and other essential living systems. The expandable aspect means these ...



### Solar + Battery Powered Shipping Container Tour ,Off Grid Tiny Home

Mike with RPS introduces you the product, the Instant Off-Grid Container, an all-in-one solar off-grid unit with a battery bank that can serve as a tiny home, office, hunting cabin and tack room.





## Contact Us

---

For catalog requests, pricing, or partnerships, please visit:  
<https://www.fundacja64.pl>