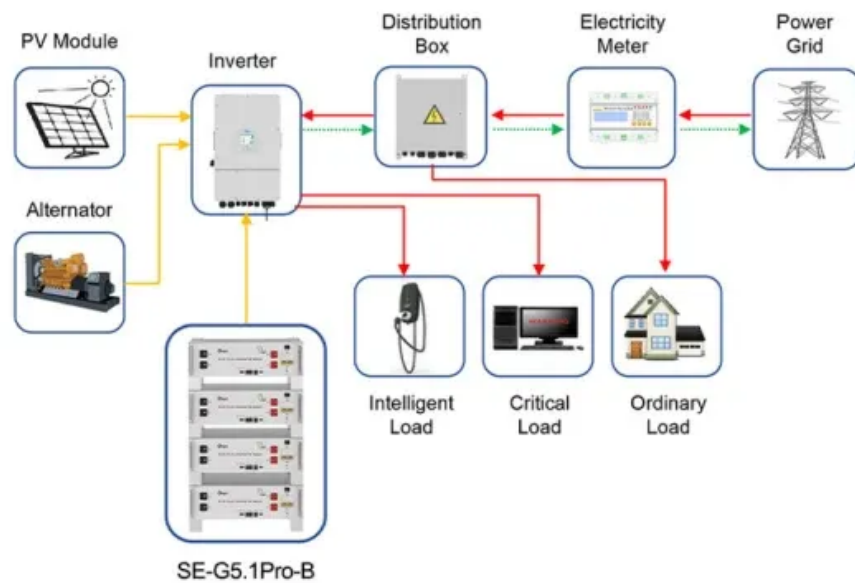


Where is the solar container chamber



Application scenarios of energy storage battery products





Overview

The opening scene of "Bladerunner 2049" (2017) shows giant solar concentration farms, which are based on the real-life Ivanpah Solar Electric Generation System in the Mojave Desert. You actually drive right past it if you take the Interstate 15 from Los Angeles to Las Vegas. ∴ Find local businesses, view maps and get driving directions in Google Maps. The container is equipped with foldable high-efficiency solar panels, holding 168–336 panels that deliver 50–168 kWp of power. It is the perfect alternative to unstable grid power and diesel generators, keeping operations running even in remote areas or where infrastructure is weak. SolaraBox. The Port Newark Container Terminal in New Jersey is now one of the few shipping hubs in the world to use on-site solar power to cut its own emissions (cropped; courtesy of Standard Solar). Support CleanTechnica's work through a Substack subscription or on Stripe. A bustling, sprawling, 320-acre. MOJAVE, CA — Mayor Karen Bass today announced the completion of the Eland Solar-plus-Storage Center project, one of the largest solar and battery energy storage projects in the entire country. The power that will be generated by both phases of the Eland project - Eland 1 and Eland 2 - will meet 7. A solar water heater tank is a familiar solar energy container that can be seen on the roofs of many homes. It is mainly composed of a collector and a water storage tank. The collector is usually a black metal plate or pipe that can absorb the heat from the sun and transfer it to the water flowing. Red Hook Container Terminals LLC announced today that it has begun regular commercial operation of ten (10) BYD Motors heavy-duty zero-emission battery electric yard tractors at its container terminal in Port Newark, New Jersey. The Red Hook fleet represents the single largest deployment of.



Where is the solar container chamber



Evaporative Cooling Chambers , Engineering For Change

Evaporative cooling chambers (ECCs), also known as "zero energy cool chambers" (ZECCs), are simple and inexpensive systems that keep vegetables fresh without the use of ...

"This is L.A.'s Clean Energy Future": Mayor Bass Opens One of ...

MOJAVE, CA -- Mayor Karen Bass today announced the completion of the Eland Solar-plus-Storage Center project, one of the largest solar and battery energy storage projects in the entire ...



Solar Cold Rooms Technical Handbook

An ideal gas thermometer consists of a diluted gas in a closed containment with a constant volume (Fig. 2). The term "ideal gas" stands for a theoretical gas fluid with ideal parameters. Under normal ...



Solar Matters I Teacher Page

Solar cookers are improving the quality of life for many people around the world. Solar ovens have been introduced in parts of South America, Africa, and India. In these areas, it is typical for a woman to ...



INTEGRATED DESIGN
EASY TO TRANSPORT AND INSTALL,
FLEXIBLE DEPLOYMENT



Mobile Solar Containers , SolaraBox Portable & Rapid-Deploy Solar ...

SolaraBox Mobile Solar Containers: deliver 400-670 kWh/day with foldable solar arrays. Rapid-deploy, modular, rugged, and certified for off-grid, on-grid, or hybrid solutions.



Solar Container , Avatar: The Game Wiki , Fandom

Solar Container With such a large distance between Earth and Pandora, the RDA has to independently maintain its energy resources, which include biofuel, solar, and some petroleum products. ...



SOLAR COLD ROOM

With container type cold rooms operating with solar energy, you can easily solve cold storage problems and post-harvest loss problems in perishable foods such as fruits, vegetables, meat and meat products.





"new solar container"

Port Newark, New Jersey, USA August 11, 2021. Red Hook Container Terminals LLC announced today that it has begun regular commercial operation of ten (10) BYD Motors heavy-duty zero-emission ...



How to Set Up a Mobile Solar Container Effectively

Learn how to set up a mobile solar container efficiently--from site selection and panel alignment to battery checks and EMS configuration. Avoid common mistakes and get real-world ...

No.1 Capacity Solar Container , Solarabox

As energy challenges grow, our solar container solution was created to meet the need. It provides clean, efficient power wherever you need it and can also generate profit. The container is ...



Solar Containers is a portable energy revolution for all uses

What Is a Shipping Container with Solar Panels? Solar shipping container condenses it all into electricity production and energy storage in a 40-foot or 20-foot shipping container, plug-and ...



What is a solar energy container and how does it work?

Solar energy containers are essentially devices that convert and store solar energy. Before we explore how it works, let's first get to know the common types of solar energy containers. ...



If They Can Put Solar Power Here, They Can Put It Anywhere

At the Port Newark Container Terminal in New Jersey, solar panels have been shoehorned into a tightly packed, high-traffic shipping facility, without disrupting operations or taking up valuable

Contact Us

For catalog requests, pricing, or partnerships, please visit:
<https://www.fundacja64.pl>